

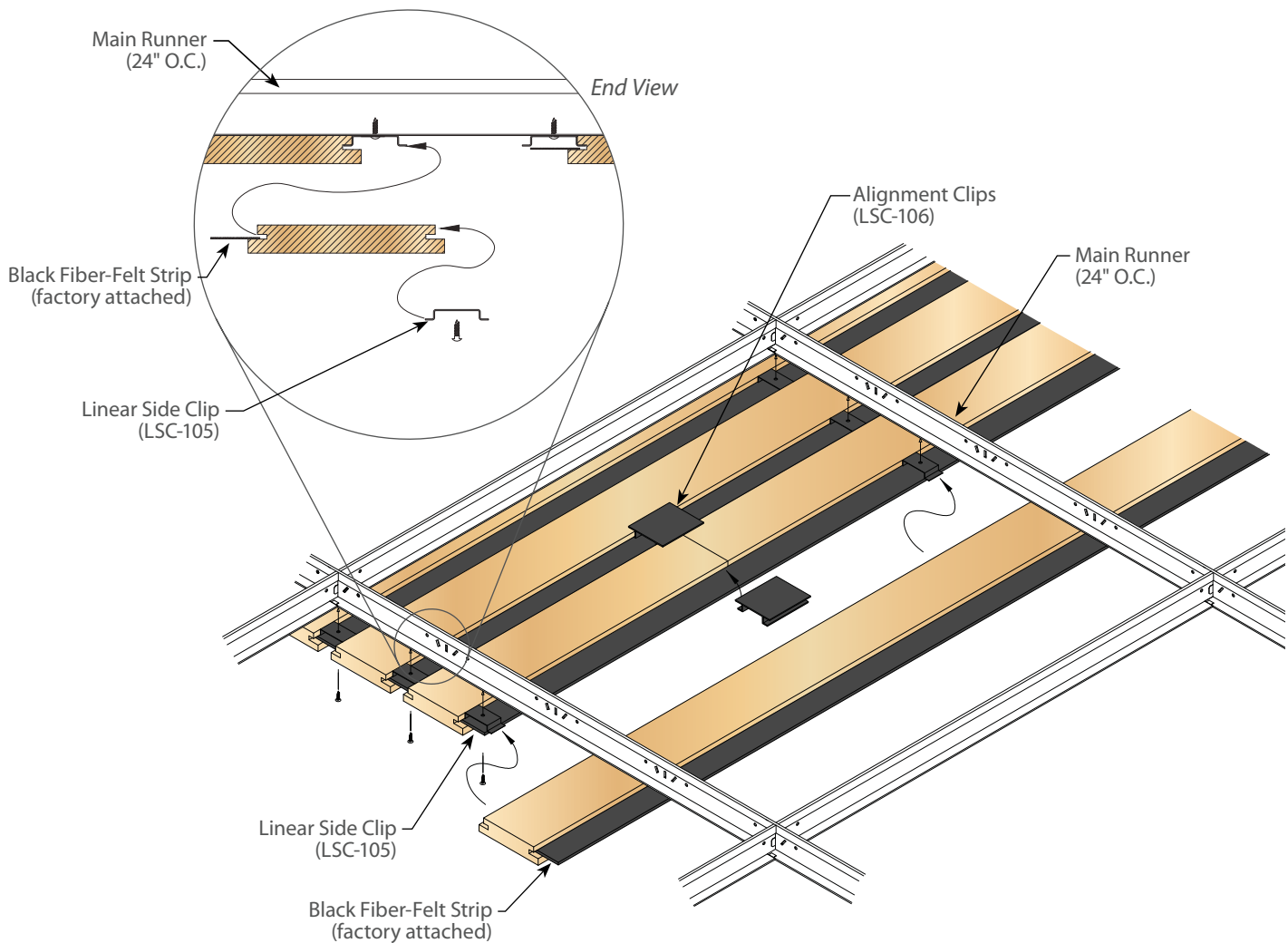


Open Series 2



ACGI Linear Systems feature two basic series: Linear Open (LO) and Linear Closed (LC). Both systems are available in solid wood or wood veneer depending on plank size and design requirements. Typical veneer lengths are 8' and 10' with some reaching 12'. Solid wood lengths depend on species and lumber grade.

Linear Open Series 2 [LO2] includes a factory-installed black fiber-felt reveal offering visual concealment of the plenum. The standard reveal is 3/4" (custom reveal widths available) allowing the acoustical treatment to absorb soundwaves. Planks are typically 3/4" thick. LO2 is an individual plank system installed progressively with our linear clips (LSC-105). Clips are black for concealment. Planks are butted end-to-end using alignment clips (LSC-106) resulting in a more continuous appearance along the ceiling. LO2 is suspended from 1 5/16" HD T-Grid. The series is completely accessible by removing two adjacent planks.



Linear Open Series 2 — Specification Information

Product No.	Suspension	Reveal	Solid Wood Width	Veneer Width	Typical Thickness
L02-####-C	Side Clip	1/4"-3/4"	Up to 5 1/4"	Up to 12"	3/4"

How To Spec It...

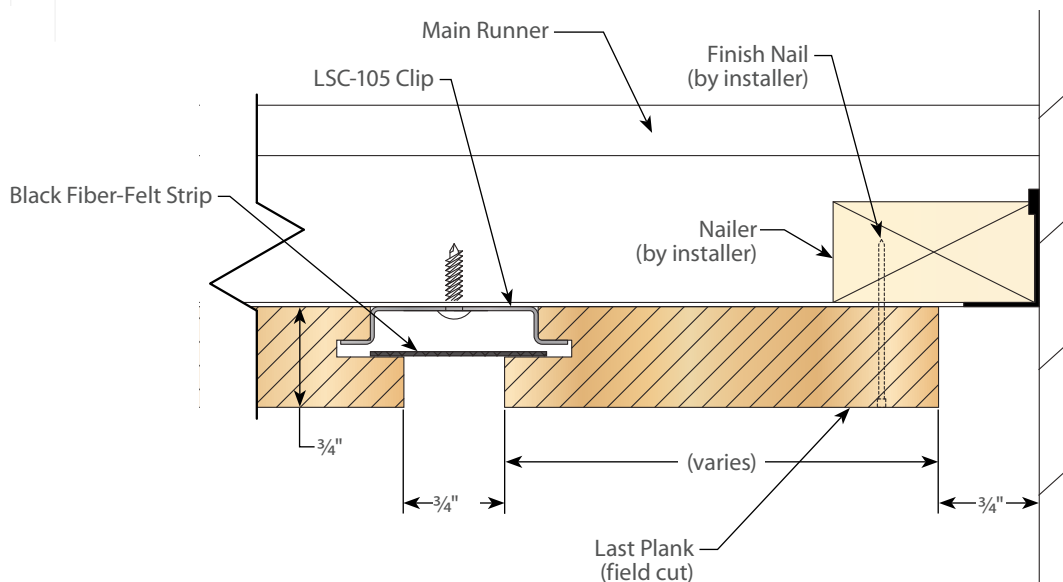
Series Thickness ●
L02-375-C
 Width

What It Means... Linear Open Series 2
 3 3/4" wide plank and 3/4" thick.

Thickness Reference

A	1/2"
B	5/8"
● C	3/4"
D	7/8"
E	1"
F	1 1/8"
G	1 1/4"
H	1 3/8"
I	1 1/2"
J	1 5/8"
K	1 3/4"
L	1 7/8"
M	2"
N	2 1/8"
O	2 1/4"
P	2 3/8"

Perimeter End View



LEED CREDIT

MR 4.1, MR 4.2, MR 7, EQ 4.4

ACOUSTICS

NRC of 0.20 (E 400 mounting, panels only).
 NRC of 0.60 (E 400 mounting, 1" acoustical blanket).
 NRC of 0.70 (E 400 mounting, 2" acoustical blanket).

The Linear Open System allows sound waves to pass between the planks into the plenum. The NRC performance is controlled by installing 1" or 2" acoustic insulation. Most acoustic insulation blankets or mats have black coating to conceal the reveal. An optional non-woven black felt can be factory applied to create a visual barrier in the reveal.

WOOD SPECIES

Linear planks are available in a large variety of wood veneers to meet design requirements.

FINISHES

Linear planks can be finished in any of our standard finish options or custom finishes.

FIRE RATING

Our veneered products can be provided with a Class A rated core [ASTM-E84].

DELIVERY, STORAGE & HANDLING

Material must be stored and installed only in secured ambient environment (humidity range 25%–55%, temperature not to exceed 86°F). All windows, doors and wet-work must be complete before installation. Handle carefully to avoid damaging.

WARRANTY

All materials supplied by ACGI are guaranteed against manufacturing defects for one year. Wood stains and colorings can vary over time due to job site conditions and are therefore excluded from this warranty. The contractor shall warrant for one year all work from final acceptance of completed work.