

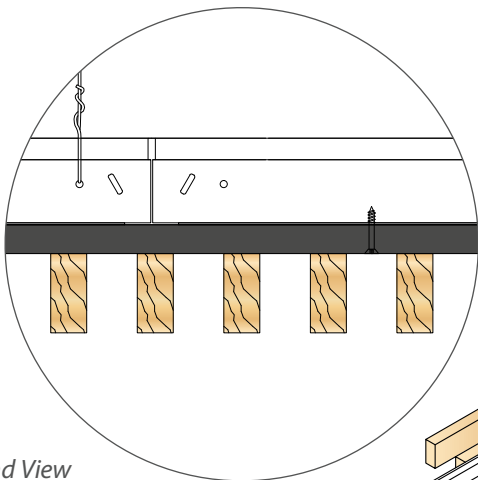


Backer Series 1

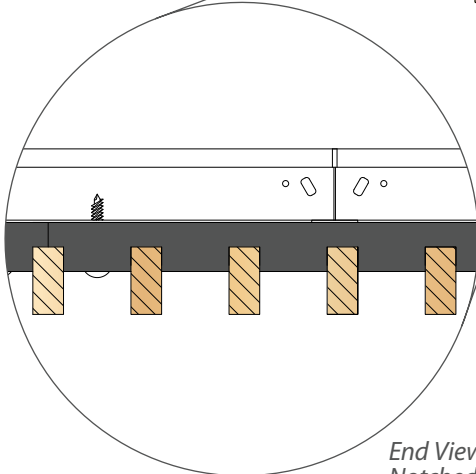


ACGI Grille Systems feature two categories—Grille Backer Series (GB) and Grille Dowel Series (GD). Both systems are available in solid wood or wood veneer (depending on blade size and design requirements). Blade sizes are typically 1 $\frac{3}{8}$ "–3 $\frac{1}{2}$ " deep (for depths greater than 3 $\frac{1}{2}$ " see our Baffle Systems). Grille panels are assembled with four to ten blades per foot. Panels are nominal 1' or 2' width by varying lengths in 1' increments (custom widths and lengths are available).

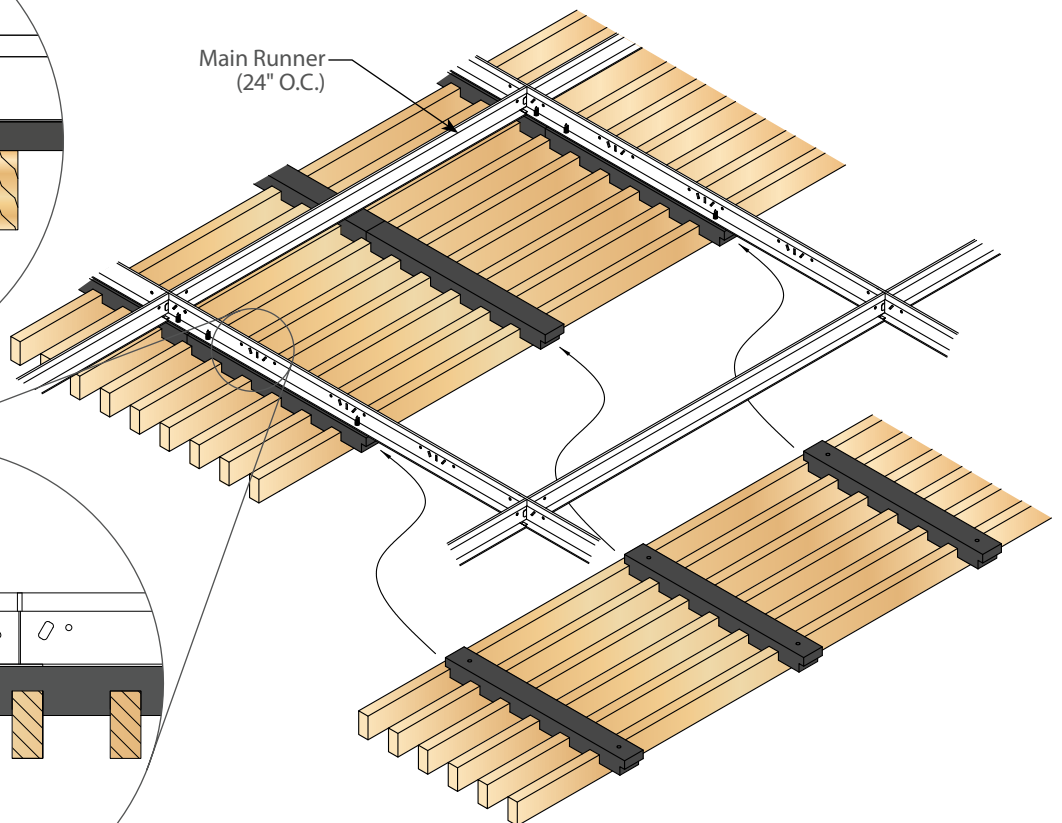
Grille Backer Series 1 [GB1] is panelized with factory-attached wood backers at 12" O.C. Backers are painted flat black (other finishes are available). GB1 panels install by screwing through the backers between blades. Ceiling applications are suspended from $\frac{1}{16}$ " HD T-Grid, and attached to walls using sheathing or furring strips. Panels are installed with $\frac{1}{2}$ "–1" reveal between panel ends and at perimeter walls or headers. Optional notched backers provide additional strength and stability for wall applications with blade depths greater than 2". For post-installation access the attachment screws can be removed, or optional suspension can be provided for regular access.



End View
Standard Grille Backer



End View
Notched Grille Backer
(optional)



Grille Backer Series 1 — Specification Information

Product No.	Suspension	Encapsulated Insulation	Blades per ft.	Depth	Typical Thickness
GB1-####-#	Wood Backer	No	4-10	1"-3½"	¾"

How To Spec It...

Series — Thickness ●

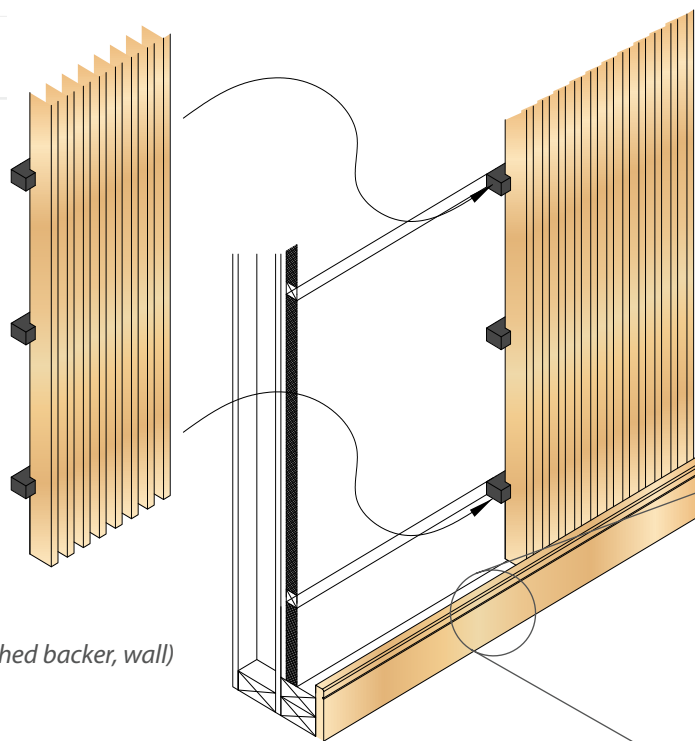
GB1-8150-C

Blades per ft. — Height

What It Means... Grille Backer Series 1 with 8 blades per foot, 1½" blade depth, and ¾" thickness.

Thickness Reference

A	½"
B	⅝"
● C	¾"
D	⅞"
E	1"
F	1⅛"
G	1¼"
H	1⅝"
I	1½"
J	1⅞"
K	1¾"
L	1⅞"
M	2"
N	2⅛"
O	2¼"
P	2⅜"



GB1
(notched backer, wall)

LEED CREDIT

MR 4.1, MR 4.2, MR 7, EQ 4.4

ACOUSTICS

NRC of 0.60 (1" insulation).
NRC of 0.80 (2" insulation).

Grille panels are a traditional product offering the warmth of wood plus acoustical treatment. A large amount of open area allows sound to pass unobstructed into the plenum space and/or acoustic insulation behind the panels. Consequently, acoustical performance of a wood grille is determined by the properties of the absorbing medium. This medium is often fiberglass insulation in bags, mats, or duct liner.

WOOD SPECIES

Grille Panels are available in a large variety of wood veneers to meet design requirements.

FINISHES

Grille Panels can be finished in any of our standard finish options or custom finishes.

FIRE RATING

Our veneered products can be provided with a Class A rated core [ASTM-E84].

DELIVERY, STORAGE & HANDLING

Material must be stored and installed only in secured ambient environment (humidity range 25%–55%, temperature not to exceed 86°F). All windows, doors and wet-work must be complete before installation. Handle carefully to avoid damaging.

WARRANTY

All materials supplied by ACGI are guaranteed against manufacturing defects for one year. Wood stains and colorings can vary over time due to job site conditions and are therefore excluded from this warranty. The contractor shall warrant for one year all work from final acceptance of completed work.