



Series 7



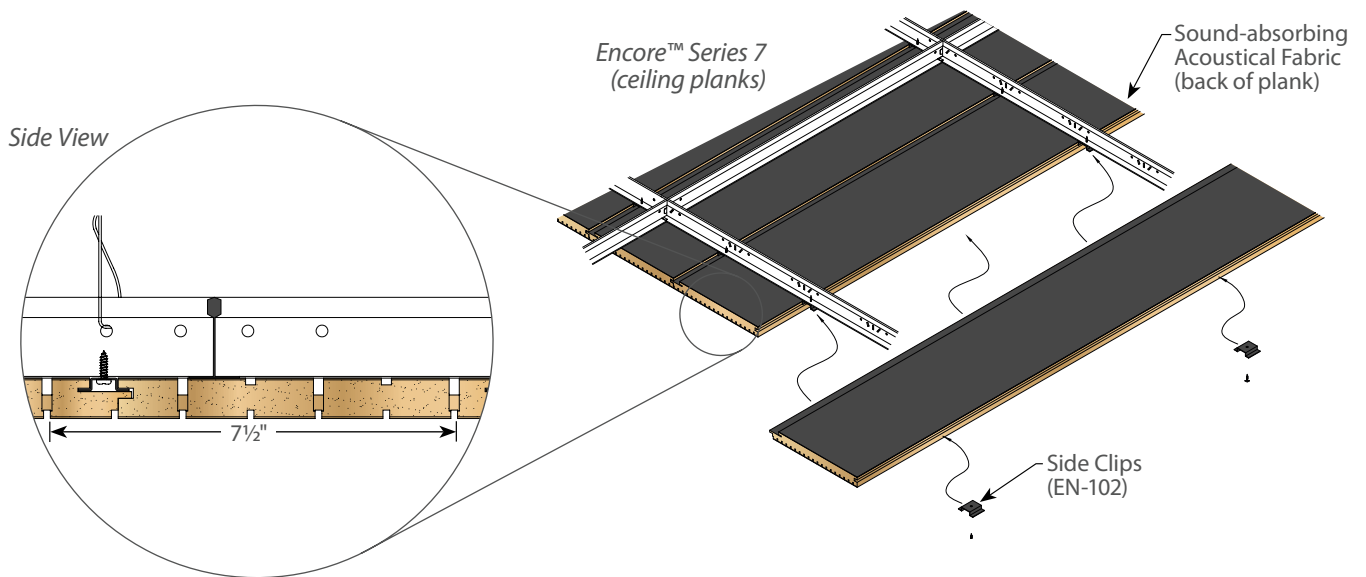
The ACGI Encore™ System combines superior acoustical performance with the aesthetic quality of wood.

Encore™ Series 7 [EN7] incorporates various groove sizes and spacing with intermittent, parallel, intersecting saw penetrations on the backside of the face to absorb sound.

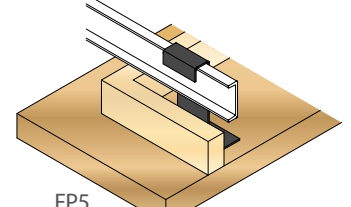
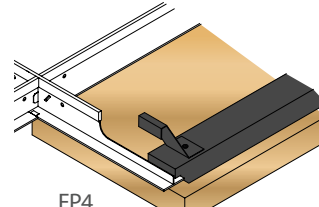
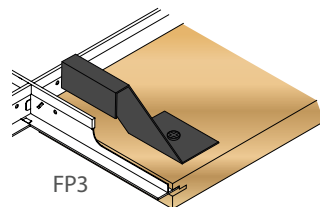
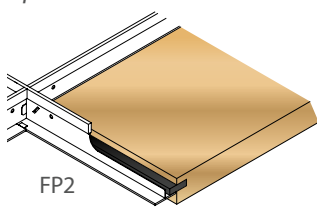
EN7 is available in planks or panels:

Planks are similar to EN1 planks with a tongue-and-groove edge and monolithic appearance.

Panels are edge banded and available in a variety of configurations.



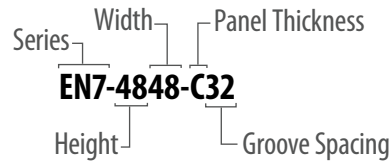
Ceiling Suspensions



Encore™ Series 7 — Specification Information

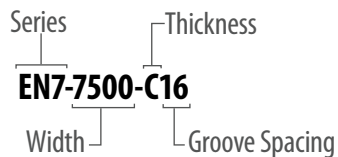
Product No.	Typical Face Groove Profile	Perforations (on back of face)	Encapsulated Insulation	Width	Length (limited by veneer)	Typical Thickness	Groove Spacing	Weight
EN7-7500-C# (planks)	2mm U or 3mm V	Intermittent Parallel Grooves	No	7½"	Up to 12'	¾"	16 or 32mm	3 lbs/sq. ft.
EN7-####-C# (panels)				Up to 5'				

How To Spec Encore™ Panels...

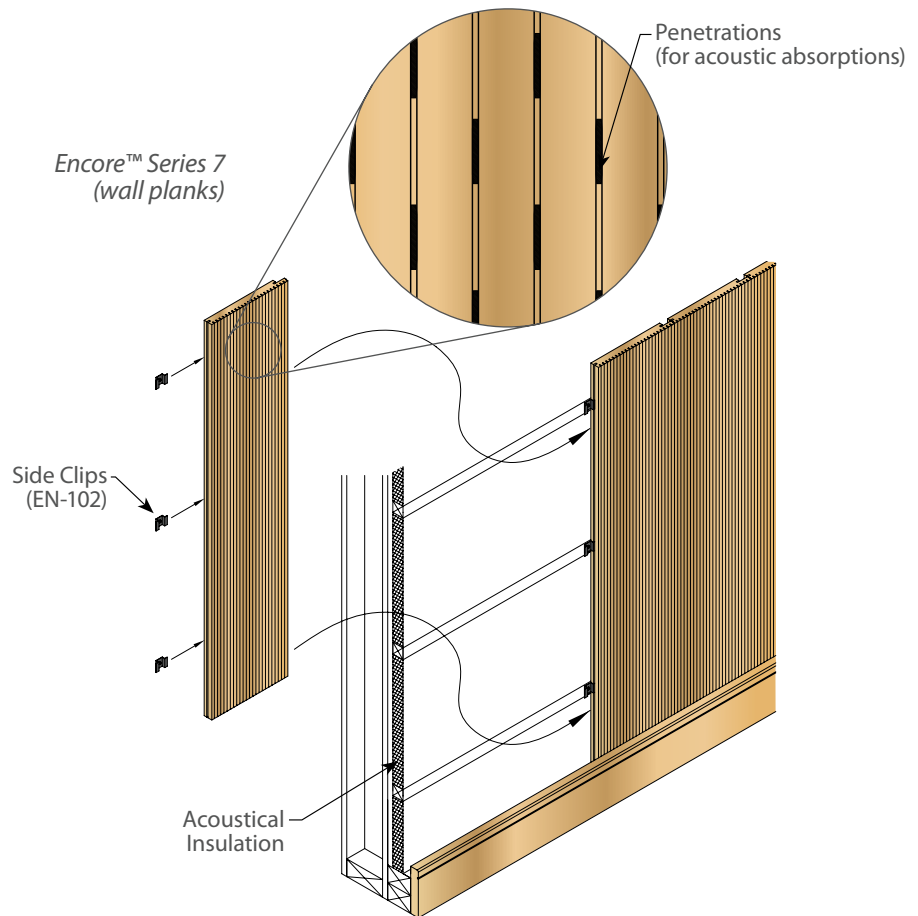


What It Means... Encore™ Series 7, 48" x 48" panel, ¾" thick and face grooves 32mm O.C.
(Grain and face-groove directions must coincide.)

How To Spec Encore™ Planks...



What It Means... Encore™ Series 7 plank, 7½" width and ¾" thickness with face grooves 16mm O.C.
(Grain and face-groove directions must coincide.)



LEED CREDIT

MR 4.1, MR 4.2, MR 7, EQ 4.4

ACOUSTICS [ASTM-C423]

NRC of 0.75 (without additional insulation).

NRC of 0.85 (with additional insulation).

Encore™ Series 7 panels are non-composite panel, ¾" thick, with face grooves intersected with intermittent parallel back grooves that provide longitudinal openings for sound to pass through the panel into the plenum for absorption.

WOOD SPECIES

Encore™ acoustical wood panels are available in a large variety of wood veneers to meet design requirements.

FINISHES

Encore™ acoustical wood panels can be finished in any of our standard finish options or custom finishes.

BORDER TRIM

Encore™ acoustical wood panels can be manufactured with custom border trim in different shapes, species and finishes. Please contact your local ACGI Sales Representative to review available options.

FIRE RATING

Our veneered products can be provided with a Class A rated core [ASTM-E84].

DELIVERY, STORAGE & HANDLING

Material must be stored and installed only in secured ambient environment (humidity range 25%–55%, temperature not to exceed 86°F). All windows, doors and wet-work must be complete before installation. Handle carefully to avoid damaging.

WARRANTY

All materials supplied by ACGI are guaranteed against manufacturing defects for one year. Wood stains and colorings can vary over time due to job site conditions and are therefore excluded from this warranty. The contractor shall warrant for one year all work from final acceptance of completed work.