

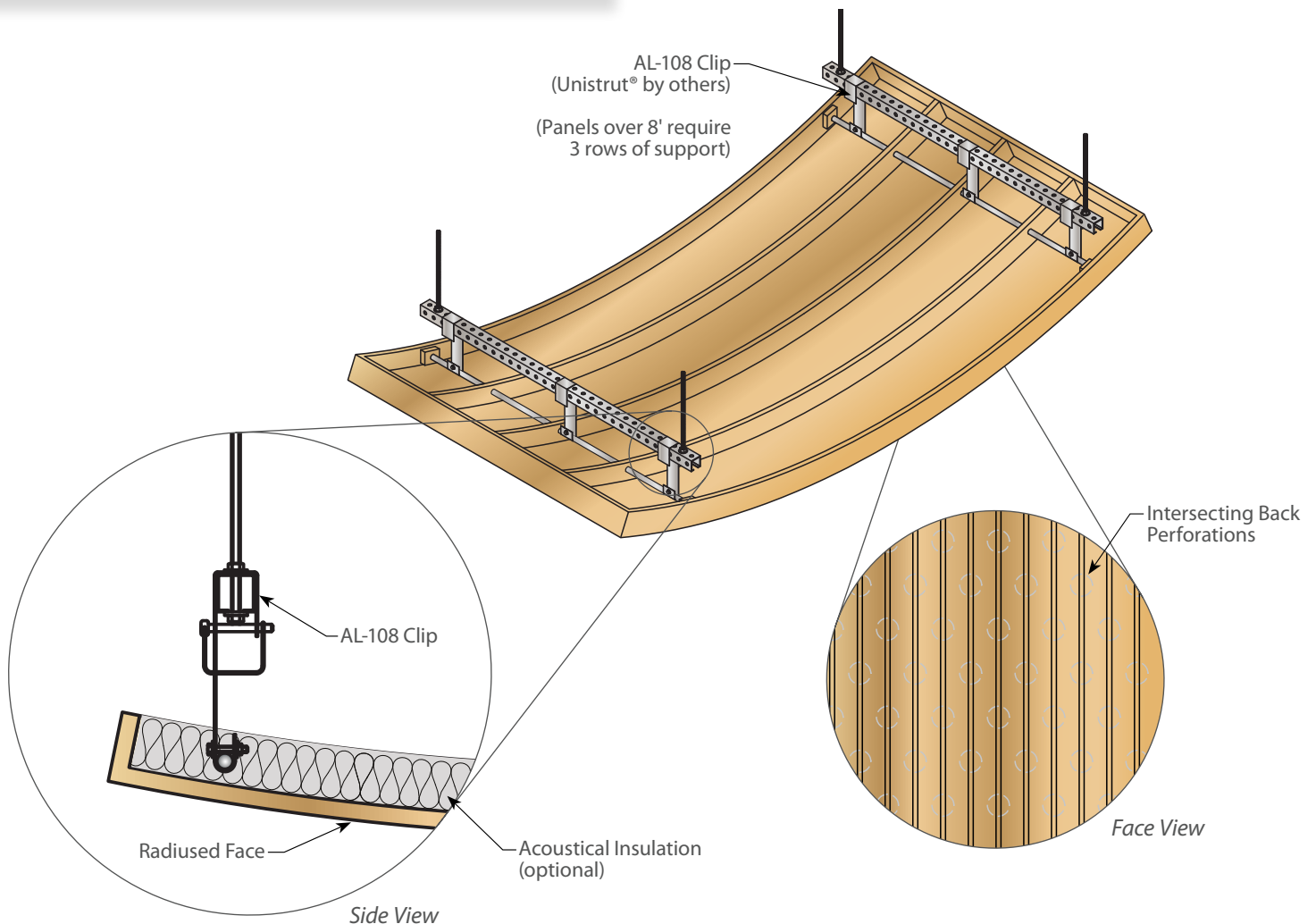


Series 5



The ACGI Encore™ System combines superior acoustical performance with the aesthetic quality of wood.

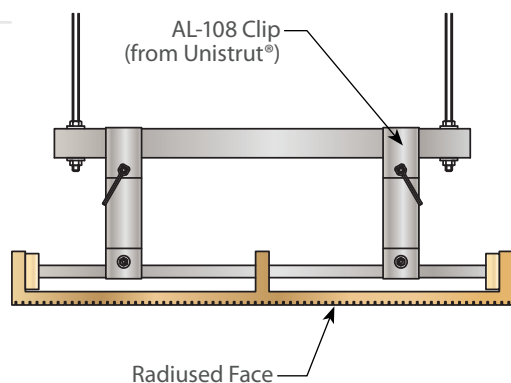
Encore™ Series 5 [EN5] acoustical wood panels combine the design of curved panels with the absorptive properties of other ACGI acoustical products (EN5 is the curved version of EN6). The wood veneer of EN5 incorporates various groove sizes and spacing, with intersecting grooves on the back of the panel to absorb sound. A membrane with face grooves and intersecting back perforations provides acoustical openings while creating a stress-free, bendable face. The panels are factory curved to match design criteria of convex, concave, and serpentine shapes. EN5 panels are available in various custom sizes and radii with a minimum radius of six inches.



Encore™ Series 5 — Specification Information

Product No.	Typical Face Groove Profile	Perforations (on back of face)	Encapsulated Insulation	Width	Length (limited by veneer)	Typical Thickness	Groove Spacing	Weight
EN5-###-C#	2mm U	Intersecting Grooves	No	Up to 5'	Up to 12' (arc length)	¾"	8, 10, 12, 16, 25, 32mm	4½ lbs./sq. ft.

End View



How To Spec It...

Series — Width — Panel Thickness ●
EN5-4848-C12
 Height — Groove Spacing

What It Means... Encore™ Series 5, 48" x 48" panel, ¾" thick and face grooves 12mm O.C. (Grain and face-groove directions must coincide.)

Thickness Reference

A	½"
B	5/8"
● C	¾"
D	7/8"
E	1"
F	1 1/8"
G	1 1/4"
H	1 3/8"
I	1 1/2"
J	1 5/8"
K	1 3/4"
L	1 7/8"
M	2"
N	2 1/8"
O	2 1/4"
P	2 3/8"

LEED CREDIT

MR 4.1, MR 4.2, MR 7, EQ 4.4

ACOUSTICS [ASTM-C423]

NRC of 0.85 (without additional insulation).

NRC of 0.95 (with additional insulation).

Encore™ Series 5 combines the design of curved panels with the sound-absorption properties of ACGI acoustical products. This is accomplished with a special face membrane with face grooves and intersecting back grooves that provide acoustical openings while creating a stress-free bendable face. EN5 panels are factory curved to match design criteria of convex, concave, and serpentine panel shapes.

WOOD SPECIES

Encore™ acoustical wood panels are available in a large variety of wood veneers to meet design requirements.

FINISHES

Encore™ acoustical wood panels can be finished in any of our standard finish options or custom finishes.

BORDER TRIM

Encore™ acoustical wood panels can be manufactured with custom border trim in different shapes, species and finishes. Please contact your local ACGI Sales Representative to review available options.

FIRE RATING

Our veneered products can be provided with a Class A rated core [ASTM-E84].

DELIVERY, STORAGE & HANDLING

Material must be stored and installed only in secured ambient environment (humidity range 25%–55%, temperature not to exceed 86°F). All windows, doors and wet-work must be complete before installation. Handle carefully to avoid damaging.

WARRANTY

All materials supplied by ACGI are guaranteed against manufacturing defects for one year. Wood stains and colorings can vary over time due to job site conditions and are therefore excluded from this warranty. The contractor shall warrant for one year all work from final acceptance of completed work.

