

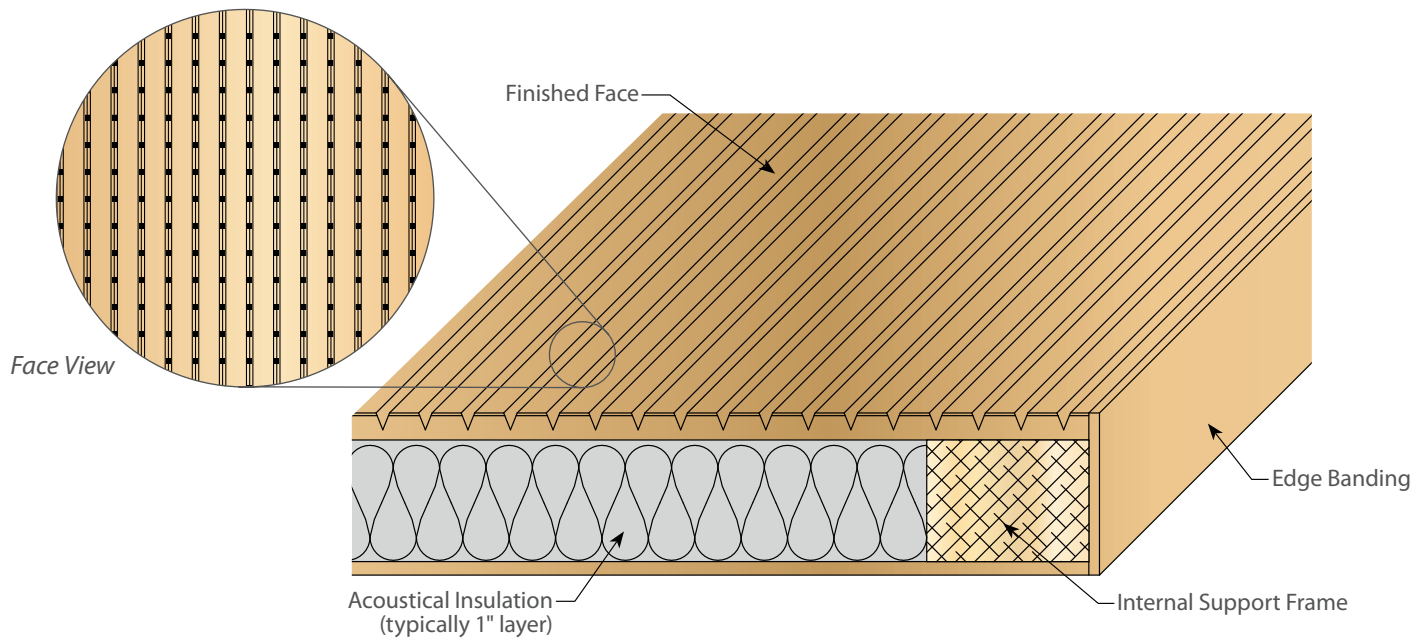


## Series 3

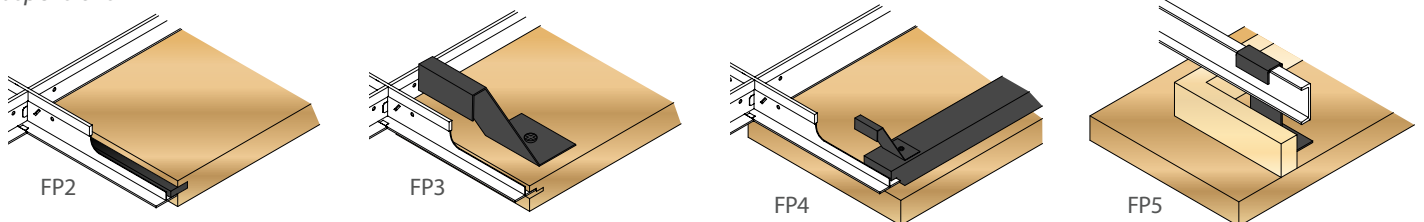


The ACGI Encore™ System combines superior acoustical performance with the aesthetic quality of wood.

*Encore™ Series 3* [EN3] acoustical wood panels are a popular choice for composite panels. Grooves in the face allow sound to be absorbed by the encapsulated insulation. The grooves can be either continuous to the end of the panel, stopped to create an integral border, or constructed with a mitered perimeter frame. When curved these panels reach a minimum radius of eight feet. Panels easily incorporate into various suspension systems, including ACGI's Concerto™ wall mounting system and standard Z-clips. EN3 composite panels are the most popular absorptive solution for wall and ceiling applications. These panels have an integral layer of acoustical insulation incorporated into the panel during manufacturing—eliminating the requirement for on-site acoustical blankets or pads. The finely detailed 2mm face grooves, along with the back grooves of the face membrane, create small, frequent channels for sound absorption.



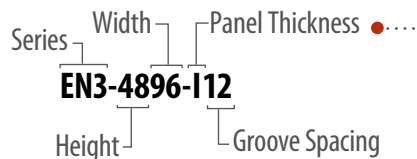
### Ceiling Suspensions



## Encore™ Series 3 — Specification Information

Product No.	Typical Face Groove Profile	Perforations (on back of face)	Encapsulated Insulation	Width	Length (limited by veneer)	Typical Thickness	Groove Spacing	Weight
EN3-####-##	2mm V	Intersecting Grooves	Yes	Up to 5'	Up to 12'	1½"–2¾"	8, 10, 12, 16, 25, 32mm	Varies

### How To Spec It...

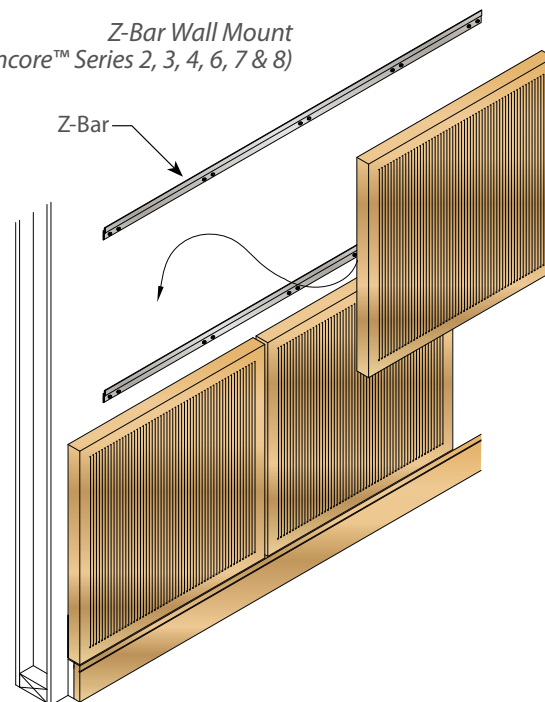


**What It Means...** Encore™ Series 3, 48" x 96" panel, 1½" thick and face grooves 12mm O.C.  
(Grain and face-groove directions must coincide.)

### Thickness Reference

A	½"
B	5⁄8"
C	¾"
D	7⁄8"
E	1"
F	1½"
G	1¾"
H	1⅝"
I	1½"
J	1⅝"
K	1¾"
L	1⅝"
M	2"
N	2⅝"
O	2¼"
P	2⅜"

Z-Bar Wall Mount  
(available for Encore™ Series 2, 3, 4, 6, 7 & 8)



### LEED CREDIT

MR 4.1, MR 4.2, MR 7, EQ 4.4

### ACOUSTICS [ASTM-C423]

NRC of 0.70 (1" core E 400 mounting with plenum, 5mm O.C. solid back).

NRC of 0.85 (1" core E 400 mounting with plenum, 5mm O.C. perforated back).

NRC of 0.75 (1" core HP F6 mounting no plenum, 5mm O.C. solid back).

High NRC performance can be achieved with the standard 1" acoustical infill, and even higher ratings can be achieved, along with better bass frequency absorption, when this is increased to the 2" infill. There are several groove spacings available and which can be either continuous to end, stopped to create an integral border, or constructed with a mitered perimeter frame. Composite panels have acoustical insulation incorporated into the panel during fabrication.

### WOOD SPECIES

Encore™ acoustical wood panels are available in a large variety of wood veneers to meet design requirements.

### FINISHES

Encore™ acoustical wood panels can be finished in any of our standard finish options or custom finishes.

### BORDER TRIM

Encore™ acoustical wood panels can be manufactured with custom border trim in different shapes, species and finishes. Please contact your local ACGI Sales Representative to review available options.

### FIRE RATING

Our veneered products can be provided with a Class A rated core [ASTM-E84].

### DELIVERY, STORAGE & HANDLING

Material must be stored and installed only in secured ambient environment (humidity range 25%–55%, temperature not to exceed 86°F). All windows, doors and wet-work must be complete before installation. Handle carefully to avoid damaging.

### WARRANTY

All materials supplied by ACGI are guaranteed against manufacturing defects for one year. Wood stains and colorings can vary over time due to job site conditions and are therefore excluded from this warranty. The contractor shall warrant for one year all work from final acceptance of completed work.

© 2012 Architectural Components Group, Inc. All Rights Reserved. Information provided is accurate at time of printing. ACGI reserves the right to modify any materials without further notification. All product applications are suggestion only. Always conform with local building codes and safety conditions. ACGI does not accept responsibility for the misuse or improper installation of products. Visit [ACGIwood.com](http://ACGIwood.com) for more details. Printed in U.S.A.

