



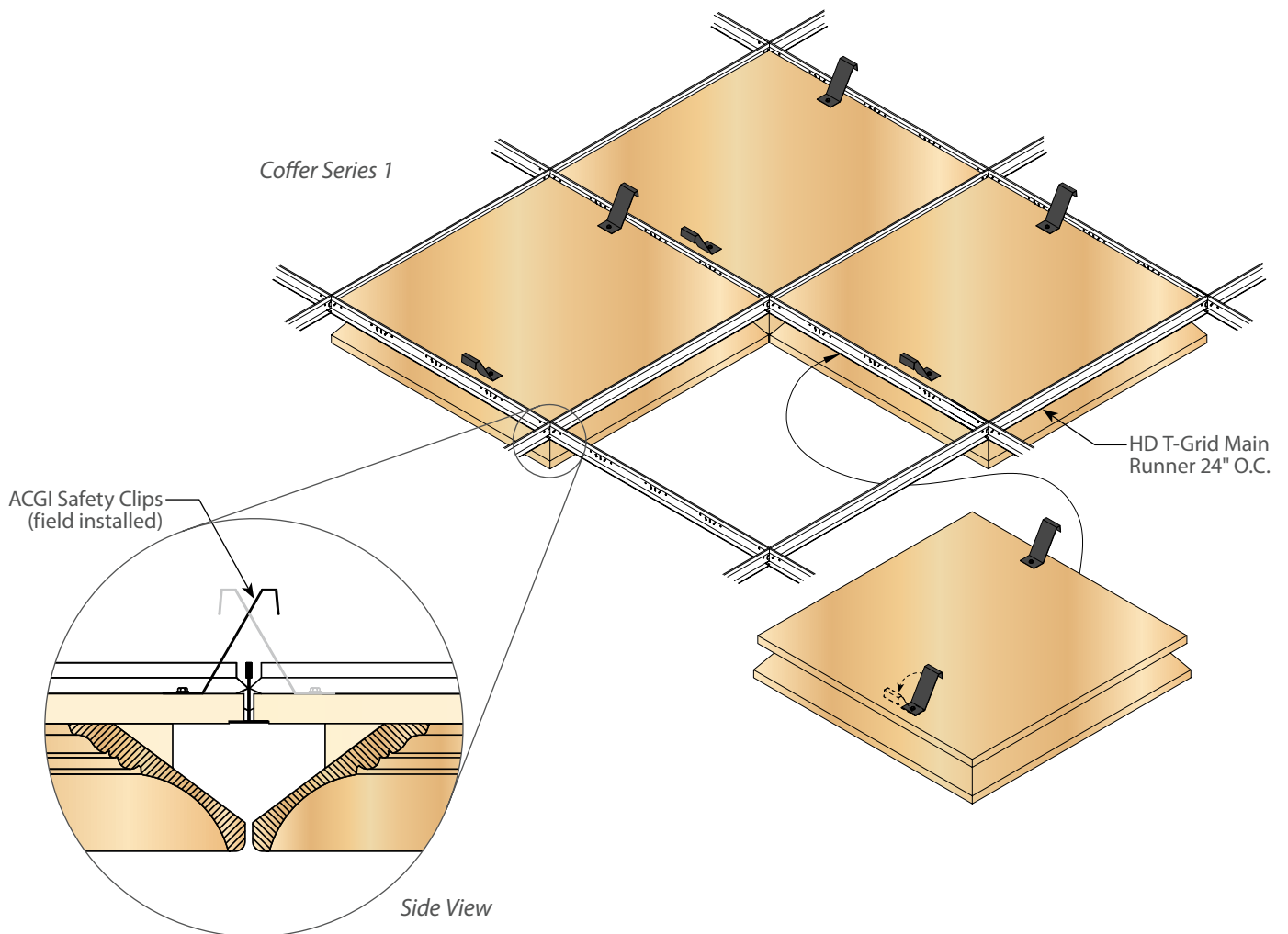
Series 1 & 2



The ACGI Coffe System offers a variety of molding profiles and face veneers. Special finishes can be provided to meet unique design requirements. Different sized factory cut-outs for can lights and other applications are also available.

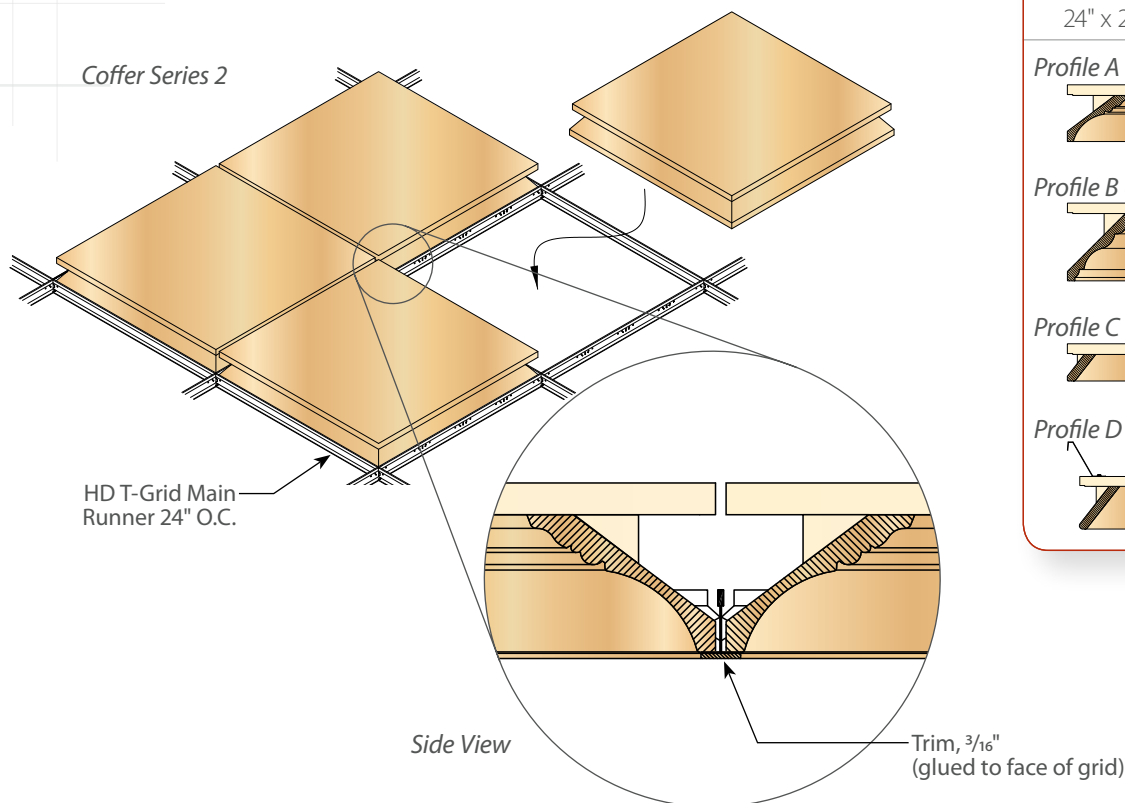
Coffer Series 1 [CF1] panels suspend from a backer board below the grid. The profile of the molding determines the overall depth of the panel. This series is especially useful when there is insufficient space above the ceiling due to HVAC equipment or other electrical apparatuses. CF1 panels typically have a small reveal between each panel when suspended. CF1 panels are accessible post-installation.

Coffer Series 2 [CF2] panels are designed so the molding portion of the panel lays into and is supported by the HD T-Grid.



Coffer Series 1 & 2 — Specification Information

Product No.	Reveal	Panel Size	Profile Depths
CF1-2424-#	3/16"	2' x 2'	See chart.
CF2-2424-#	Flush	2' x 2'	See chart.



How To Spec It...

Series Profile
CF1-2424-B
 Width Length

What It Means... Coffer Series 1
 24" x 24" panel with 4 3/4" depth.

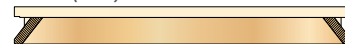
Profile A (3 3/4")



Profile B (4 3/4")



Profile C (1 7/8")



Profile D (3 1/4")



LEED CREDIT

MR 4.1, MR 4.2, MR 7, EQ 4.4

TRIM

When ACGI Coffers are used in "floating ceiling" applications, matching or complementary trim is available. ACGI offers a variety of design options to meet specific project requirements.

WOOD SPECIES

ACGI Coffers are available in a large variety of wood veneers to meet design requirements.

FINISHES

ACGI Coffers can be finished in any of our standard finish options or custom finishes.

FIRE RATING

Our veneered products can be provided with a Class A rated core [ASTM-E84].

DELIVERY, STORAGE & HANDLING

Material must be stored and installed only in secured ambient environment (humidity range 25%–55%, temperature not to exceed 86°F). All windows, doors and wet-work must be complete before installation. Handle carefully to avoid damaging.

WARRANTY

All materials supplied by ACGI are guaranteed against manufacturing defects for one year. Wood stains and colorings can vary over time due to job site conditions and are therefore excluded from this warranty. The contractor shall warrant for one year all work from final acceptance of completed work.