



## Series 1, 2, 3 & 4



The ACGI Beam System provides a cost-effective and efficient installation method to provide all types of wood beams for ceiling and wall applications. Beams are available in four different series, each differing in function and overall appearance.

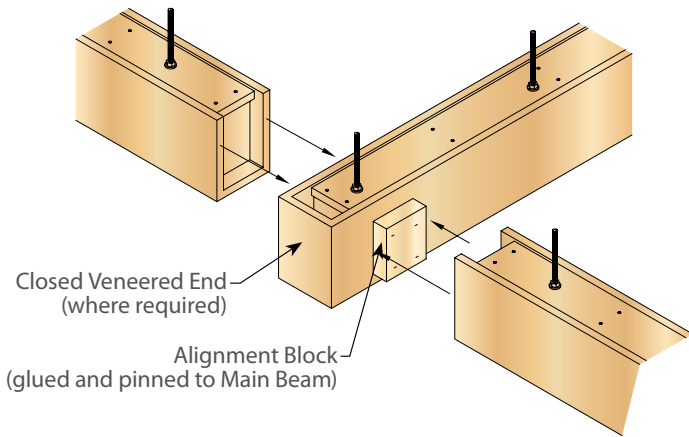
*Beam Series 1 [BM1]* can be square, rectangular, round or half-round. BM1 includes half beams for wall applications, and simple moldings can be attached almost anywhere. This series is easiest to install and field modify.

*Beam Series 2 [BM2]* is designed in association with elaborate decorative moldings. ACGI provides assistance in identifying types of molding that coordinate effectively. The architect should confer directly with ACGI to discuss specific project details.

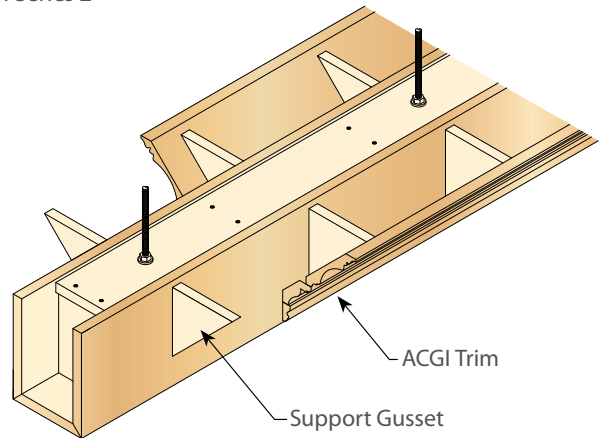
*Beam Series 3 [BM3]* is a horizontal radius beam. The internal design allows for exact dimensions and smooth surfaces. Different radii are available upon request.

*Beam Series 4 [BM4]* is a vertical radius beam. Different radii are available. Beams are available with finished faces on all sides if required.

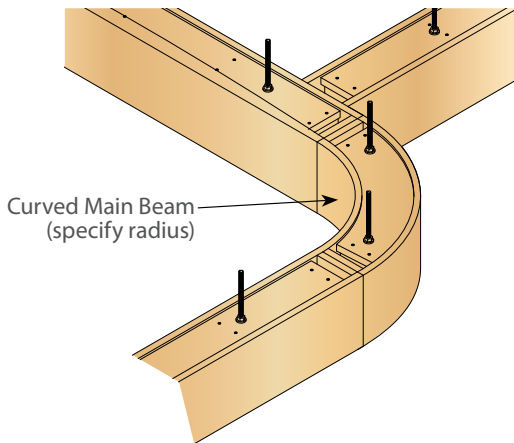
*Beam Series 1*



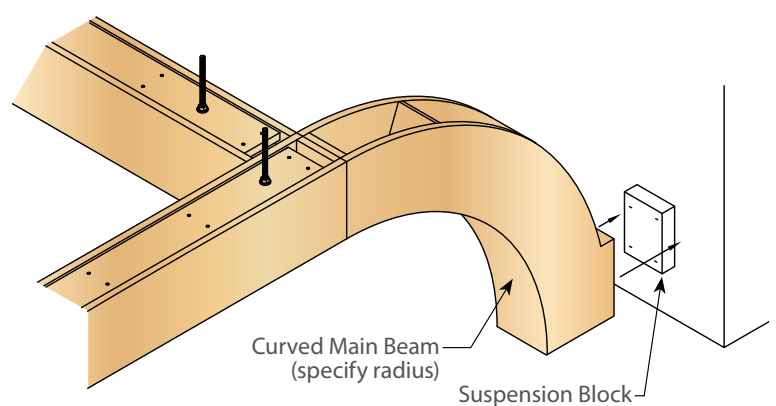
*Beam Series 2*



*Beam Series 3*



*Beam Series 4*



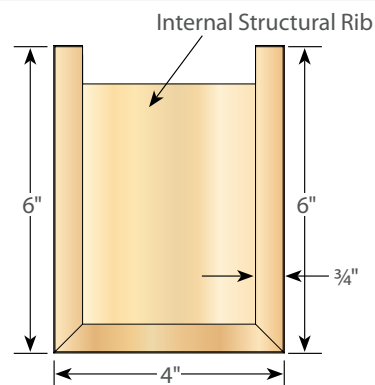
### Beam Series 1, 2, 3 & 4 — Specification Information

Product No.	Style	Height	Width	Length	Radius
BM1-####	Flat Sides	Varies	Varies	Up to 12'	N/A
BM2-####	Molded Sides	Varies	Varies	Up to 12'	N/A
BM3-####	Horizontal Curve	Varies	Varies	Up to 12'	6" min.
BM4-####	Vertical Curve	Varies	Varies	Up to 12'	6" min.

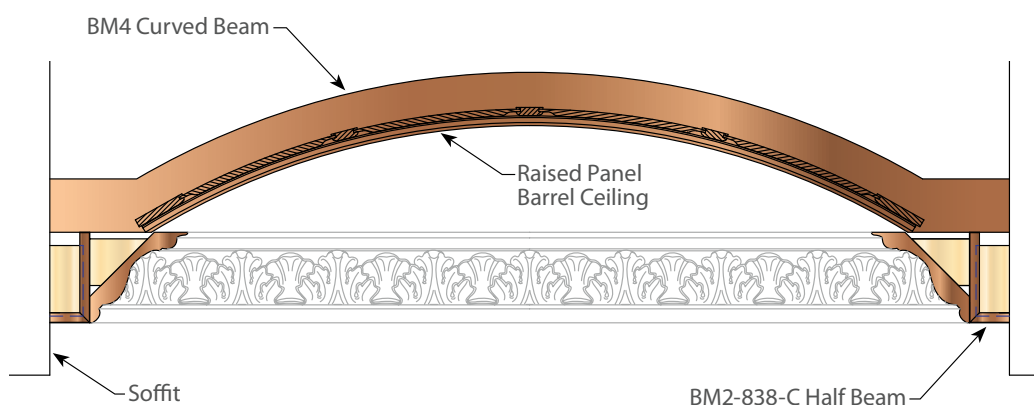
### How To Spec It...

Series — Width  
**BM1-646**  
 Height — Height

*What It Means...* Beam Series 1  
 6" x 4" with 3/4" substrate thickness.



### Application Example: BM2 & BM4



#### LEED CREDIT

MR 4.1, MR 4.2, MR 7, EQ 4.4

#### WOOD SPECIES

The ACGI Beam System is available in a large variety of wood veneers to meet design requirements.

#### FINISHES

The ACGI Beam System can be finished in any of our standard finish options or custom finishes.

#### BORDER TRIM

The ACGI Beam System can be manufactured with various matching, decorative moldings. Please contact your local ACGI Sales Representative to review available options.

#### FIRE RATING

Our veneered products can be provided with a Class A rated core [ASTM-E84].

#### DELIVERY, STORAGE & HANDLING

Material must be stored and installed only in secured ambient environment (humidity range 25%–55%, temperature not to exceed 86°F). All windows, doors and wet-work must be complete before installation. Handle carefully to avoid damaging.

#### WARRANTY

All materials supplied by ACGI are guaranteed against manufacturing defects for one year. Wood stains and colorings can vary over time due to job site conditions and are therefore excluded from this warranty. The contractor shall warrant for one year all work from final acceptance of completed work.