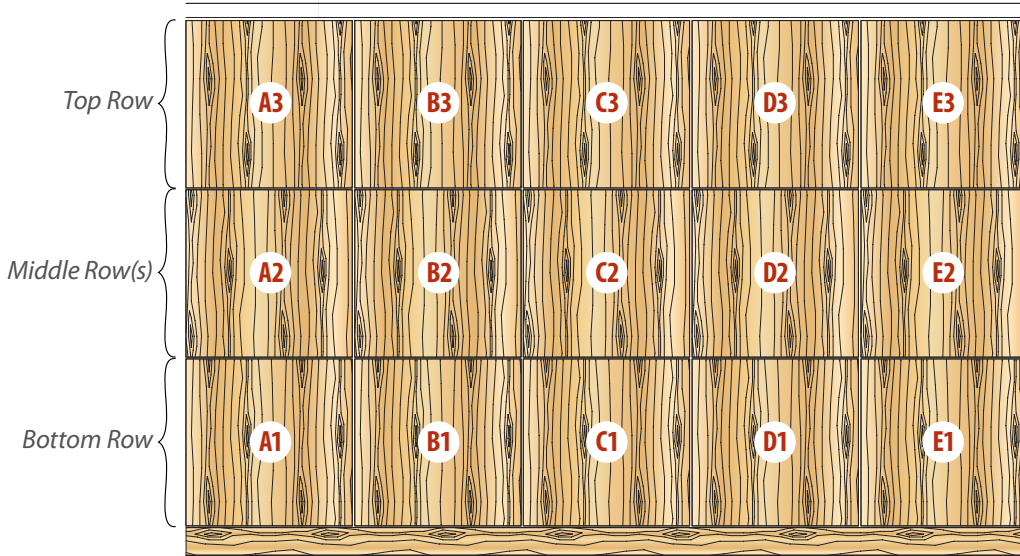




## Access Panel Installation

Typical Access Column

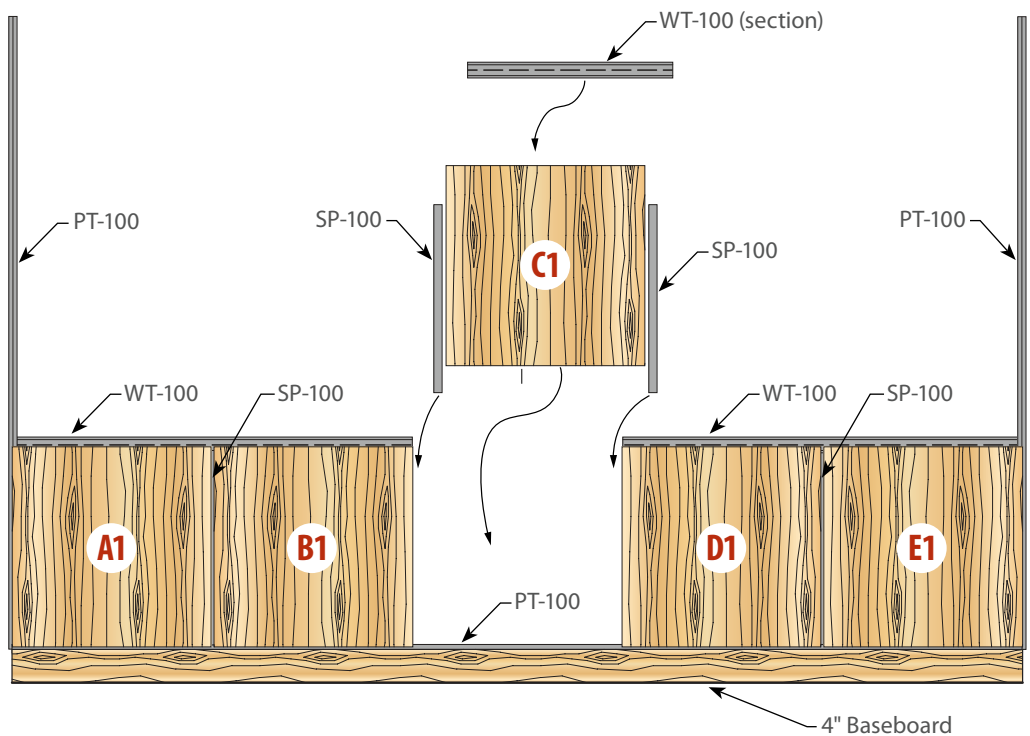


The AGCI Concerto™ Wall System is comprised of a combination of separate aluminum extrusions. These consist of wall trim, vertical splines, inside and outside corner trim, as well as perimeter and base trim that are available in a variety of sizes, shapes, and interchangeable configurations—enabling flexibility in the design of any wall project.

This brochure provides the details for including an access panel in a Concerto Wall System. Please contact ACGI or your ACGI Sales Representative for custom applications or specific requirements.

### Step 1—Bottom Row

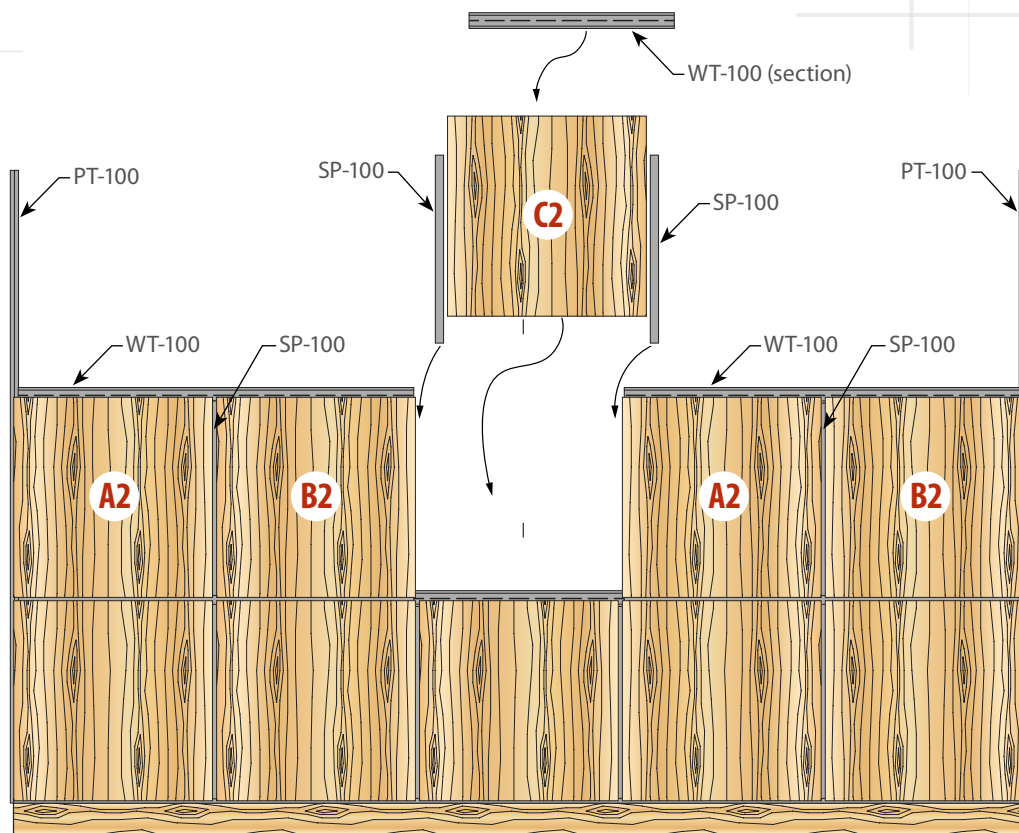
- 1) Install PT-100 on wall perimeter (sides and bottom).
- 2) Install A1 with SP-100 to right panel edge.
- 3) Install B1 with WT-100 above both A1 and B1.
- 4) Install E1 with SP-100 to left panel edge.
- 5) Install D1 with WT-100 above both E1 and D1.
- 6) Install SP-100 on right panel edge of B1 and left panel edge of D1.
- 7) Install C1 with WT-100 section above panel.



## Step 2—Middle Row(s)

- 1) Install A2 with SP-100 to right panel edge.
- 2) Install B2 with WT-100 above both A2 and B2.
- 3) Install E2 with SP-100 to left panel edge.
- 4) Install D2 with WT-100 above both E2 and D2.
- 5) Install SP-100 on right panel edge of B2 and left panel edge of D2.
- 6) Install C2 with WT-100 section above panel.

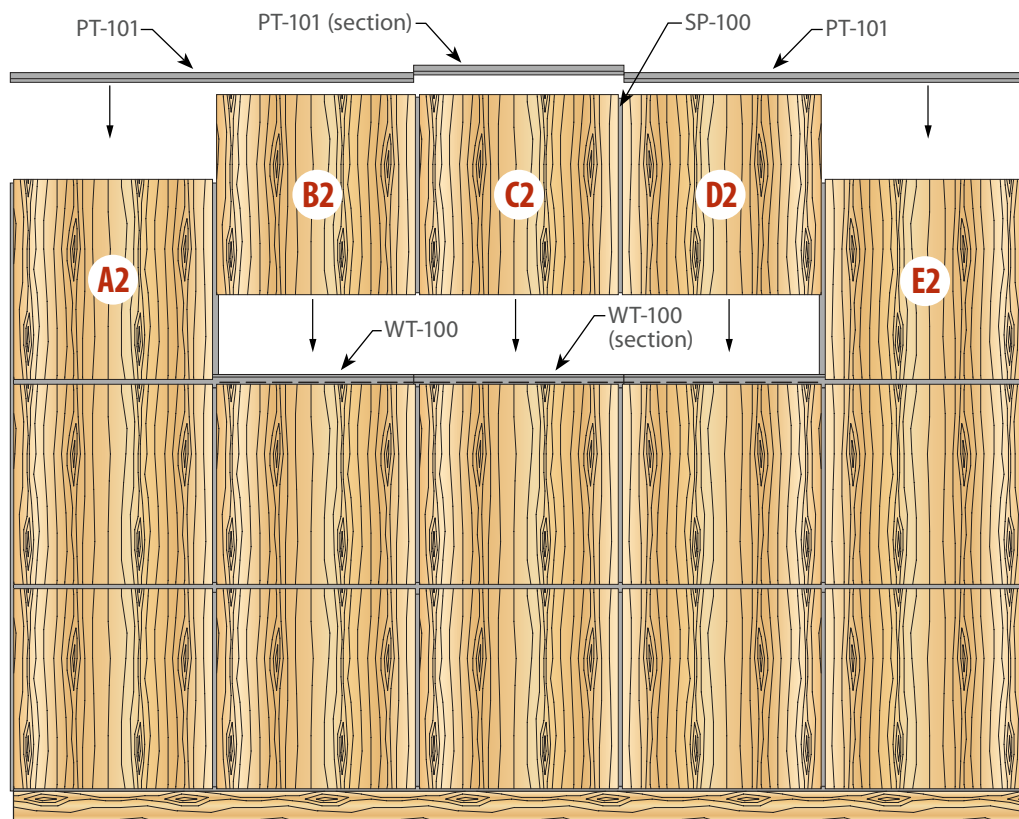
Repeat for additional middle rows.



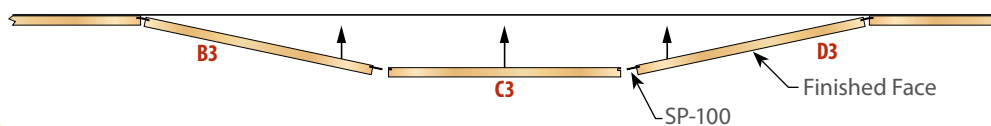
## Step 3—Top Row

- 1) Install A3 with SP-100 to right panel edge.
- 2) Install E3 with SP-100 to left panel edge.
- 3) Hold B3 and D3 above WT-100 and angle panels into adjacent splines. Install SP-100 on right panel edge of B3 and left panel edge of D3. (See Top View)
- 4) Place C3 between B3 and D3. Press all three panels back to wall and slide onto WT-100.
- 5) Install PT-101 above A3 and B3. Install PT-101 above D3 and E3. Install PT-101 section above C3.

Install MT-100 to place trim.

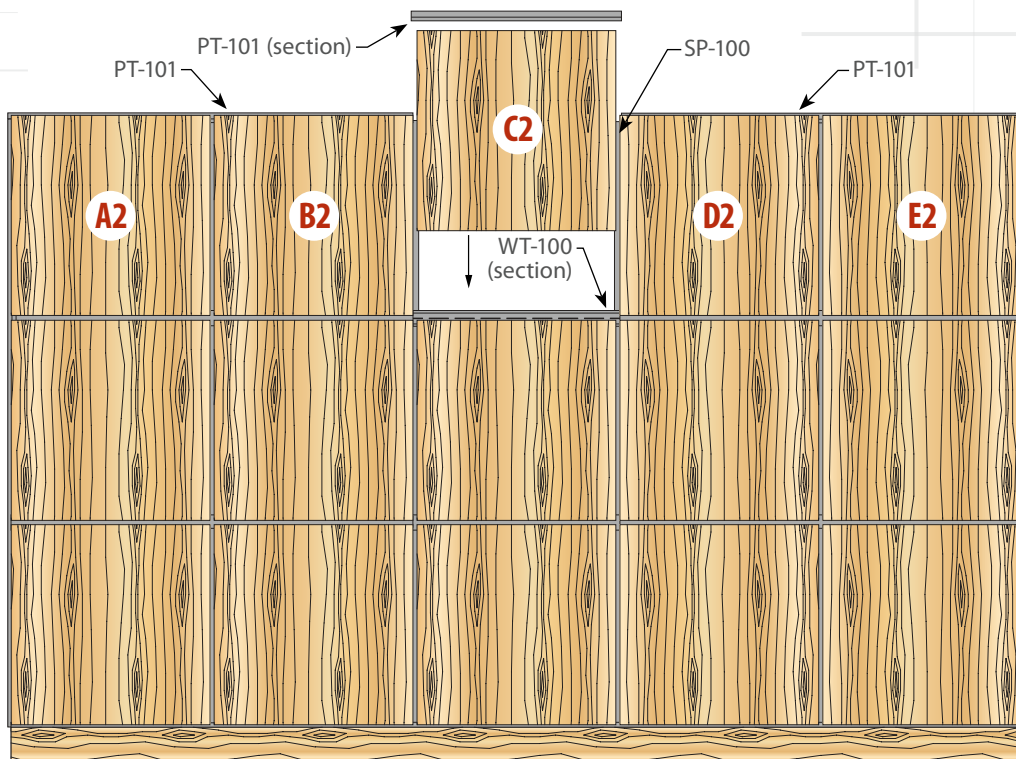


Top View



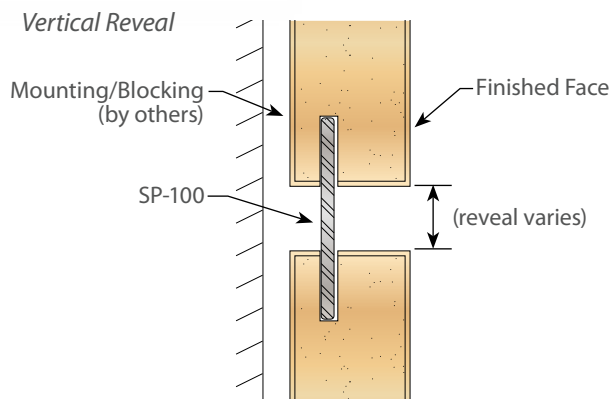
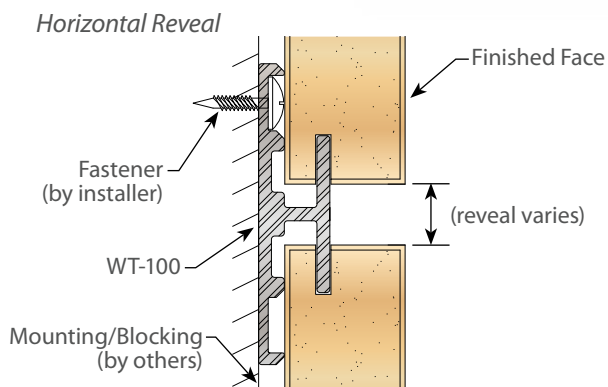
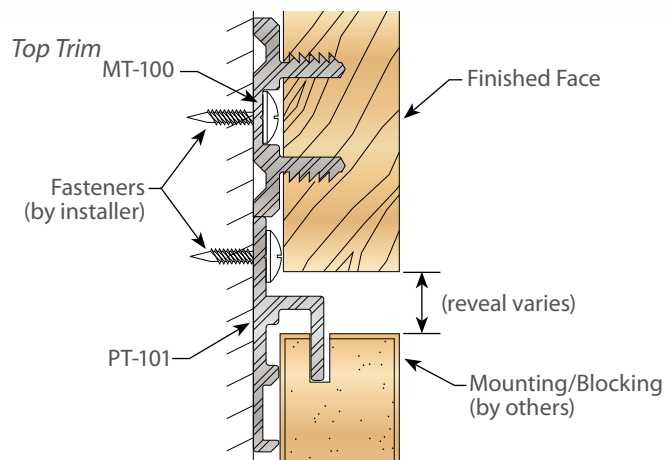
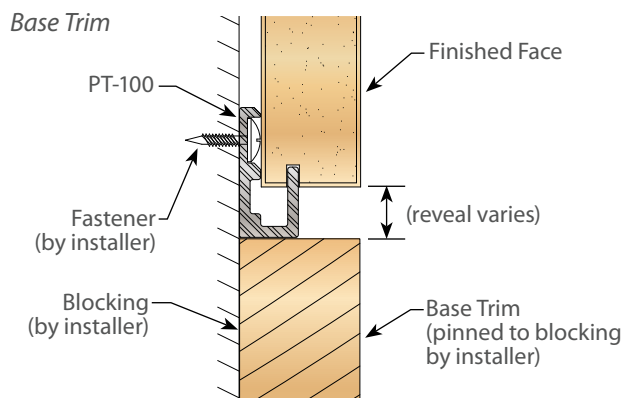
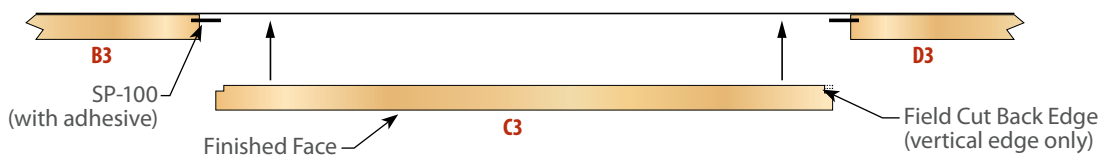
### Top Row—Alternative Method

- 1) Install A3 with SP-100 to right panel edge.
- 2) Install B3 with PT-101 above both A3 and B3.
- 3) Install E3 with SP-100 to left panel edge.
- 4) Install D3 with PT-101 above both D3 and E3.
- 5) Install SP-100 with adhesive on right panel edge of B3 and left panel edge of D3.
- 6) Field cut edges of C3. Angle panel onto WT-100 section, and press back to adhesive-treated splines.
- 7) Install PT-101 section above C3.



Install MT-100 to place trim.

#### Alt. Top View



© 2012 Architectural Components Group, Inc. All Rights Reserved. Information provided is accurate at time of printing. ACGI reserves the right to modify any materials without further notification. All product applications are suggestion only. Always conform with local building codes and safety conditions. ACGI does not accept responsibility for the misuse or improper installation of products. Visit [ACGIwood.com](http://ACGIwood.com) for more details. Printed in U.S.A.

